

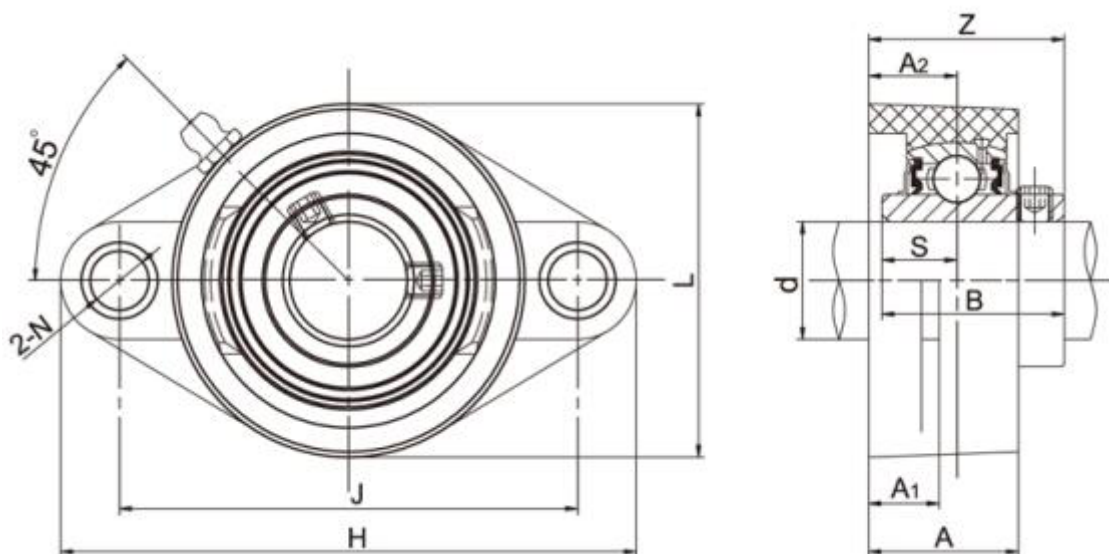
Data Sheet



Article number: 54810642101

Description: 2 hole Flange Unit TP-SUCFL210 for shaft $\varnothing 50\text{mm}$
Insert stainless steel, housing Thermoplastic black

Measures



A = 43	L = 116
A1 = 21	N = 17
A2 = 25	S = 19
B = 51.6	Z = 57.6
Bolt = M16	
d = 50	
H = 197	
J = 157	